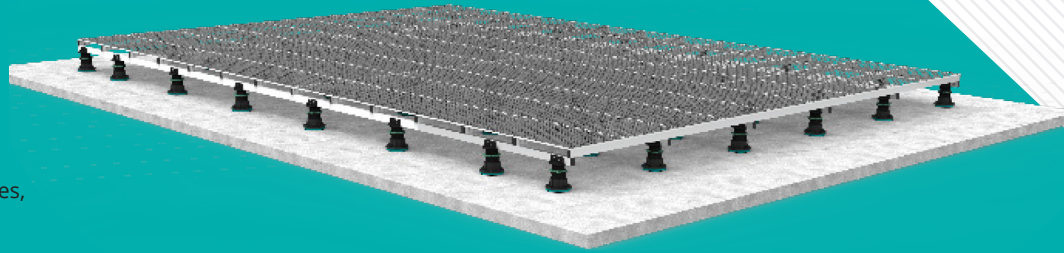


EasyMechCR



Con-form
GROUP
Making it *Easy*

PRODUCT DESCRIPTION

Generations ahead of traditional platform structures, Con-form Group's modular, strong and lightweight platform design distributes loads evenly, reducing the structural requirements of any surface.



APPLICATIONS AND ADVANTAGES

Perfect for a range of industrial applications:

- ▶ Large condensers
- ▶ Packaged air-conditioning units
- ▶ Other mechanical plant equipment

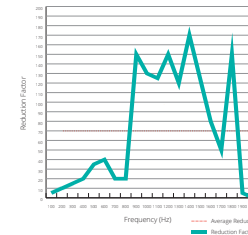
Advantages are wide & varying:

- ▶ Protects your roof membrane from damage, EasyFoot CR is backed by a sound and shock absorbing AVANT pad
- ▶ Reduces noise transmission in to your building by reducing machine vibration
- ▶ Eliminates the need for costly fixed concrete form-work, allowing greater roof-top positioning flexibility

- ▶ This proprietary system is generations ahead of traditional engineered structural steel platforms
- ▶ Provides clean lines and a smooth low profile finish
- ▶ Unique design distributes your load evenly — reducing the structural requirements of the roof
- ▶ Reduce your duct work by placing air-conditioning units directly above internal units
- ▶ Easy assembly, design reduces the need for additional structural requirements
- ▶ System remains flexible during and after project design, allowing for changes late into the construction stage
- ▶ Architectural and acoustic screens can be mounted directly to the platform

TECHNICAL DATA

- ▶ Engineered to a live load rating of 2.5kPa to 5kpa or greater
- ▶ Starting height of 250mm
- ▶ Con-form Group platforms are available in modular 600mm increment sizes to suit your needs
- ▶ Supported by our unique EasyFoot CR which has our Anti-Vibration Anti-Noise Technology (AVANT) pads built into it. These pads have proven to **reduce vibrations up to 70%**.



CERTIFICATIONS

- ▶ **Australian Standards:** AS1170.1, AS1170.2, AS1657 & AS1664.1 & Relevant Clauses of the Building Code of Australia
- ▶ **Wind Loads:** Con-form products have been certified for wind regions A, B and C.
V500 = 45m/s - Region A - Tc 2.5
V500 = 57m/s - Region B - Tc 2.5



WARRANTY

- ▶ All components backed by a 25 year warranty

MAINTENANCE

- ▶ Visual inspection for any damage or loose fittings is recommended annually. Report any damage or loose fixings to asset manager or building owner for correction
- ▶ No certified maintenance is required that effects lifespan or performance of product

ROOF CONNECTIONS

▶ EasyFoot CR

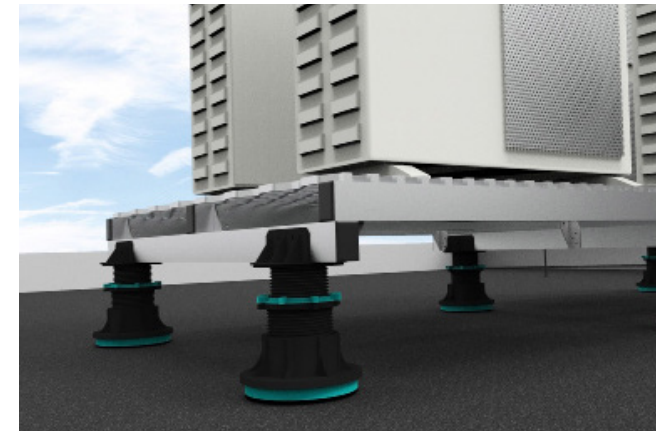
- ▶ Engineer certified
- ▶ 100mm height adjustable (to accommodate for roof drainage, slopes and pitch).
- ▶ Each foot is rated to 1000kg (made from High-Density Polyethylene (HDPE) compound and weighing only 706g, the EasyFoot CR can handle any weight
- ▶ Can be secured to the roof (if required) with our CRFix Bolt

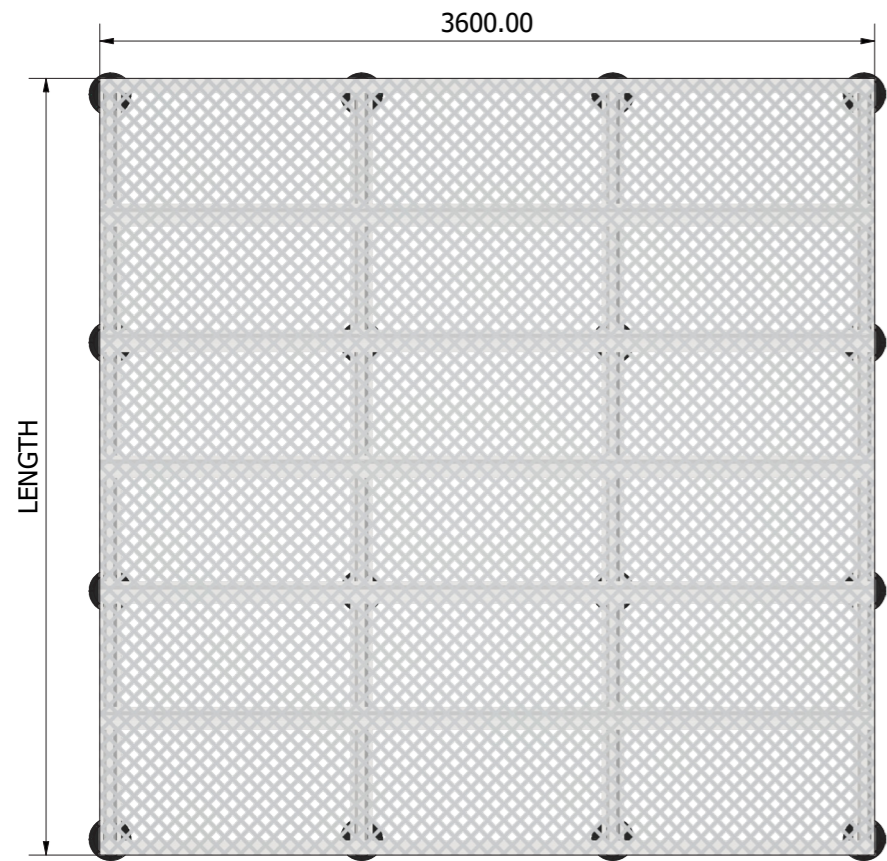


APPROVED FOR USE WITH ALL LEADING BRANDS INCLUDING:



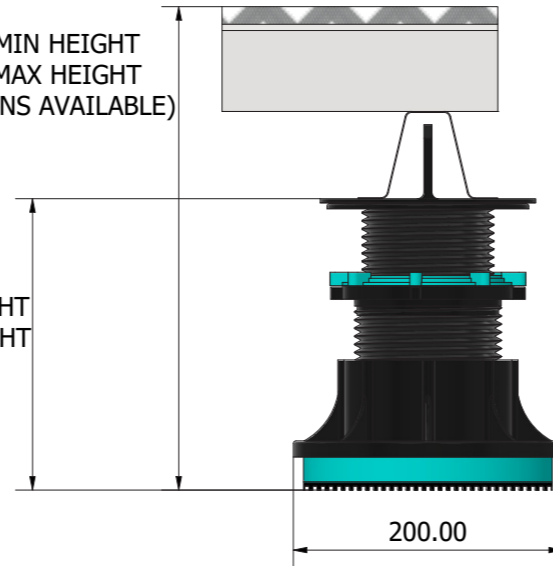
Making it *Easy*



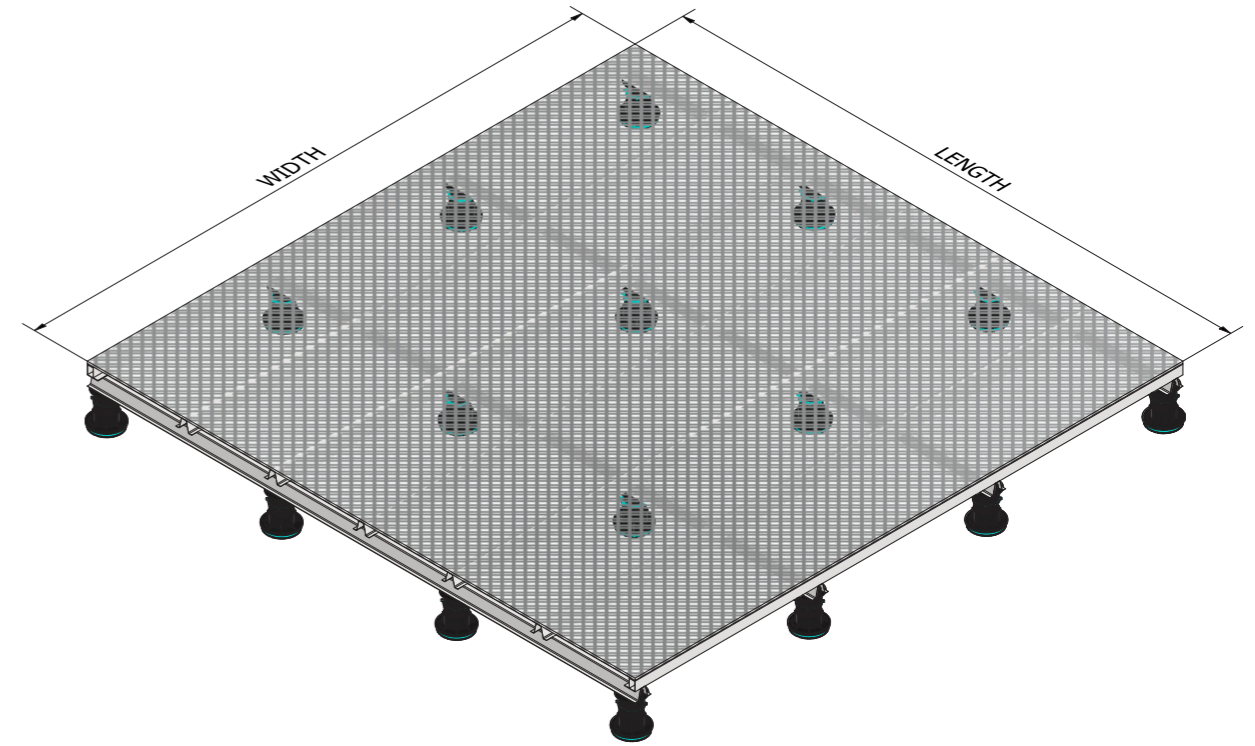


258.00 MIN HEIGHT
359.00 MAX HEIGHT
(EXTENSIONS AVAILABLE)

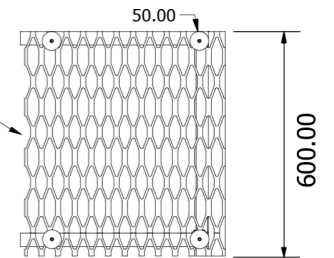
125.00 MIN HEIGHT
225.00 MAX HEIGHT



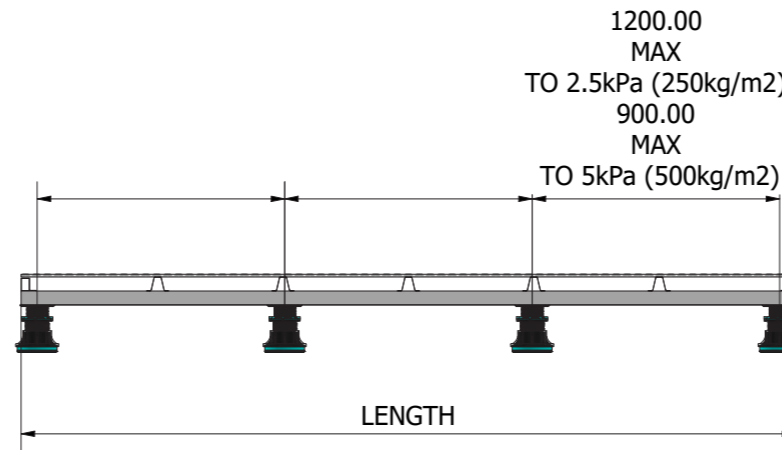
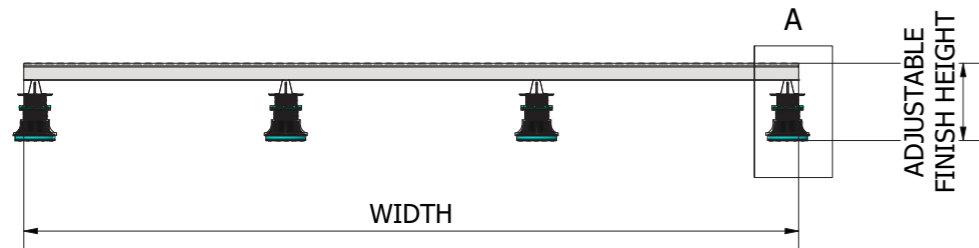
A (1 : 4)
EASYFOOT CR
DETAIL



HIGH GRIP KNURLED MESH
DECKING - MARINE GRADE
(APPROX) 72% OPEN AREA



DETAIL A
KNURLED ALUMINIUM MESH



Product Options
Guard Rail
Louvre Screens
Acoustic Screens
Access Steps
Equipment Mounting Rails
Architectural Screens

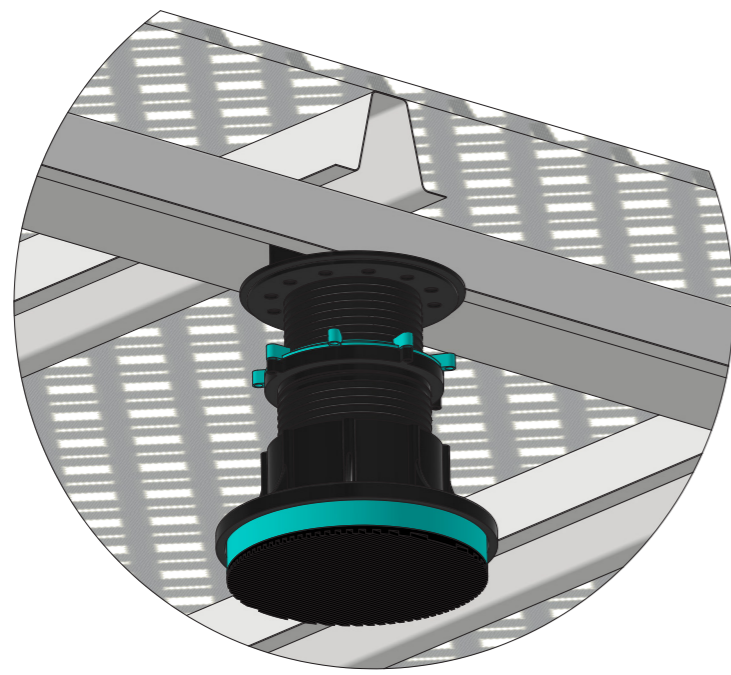
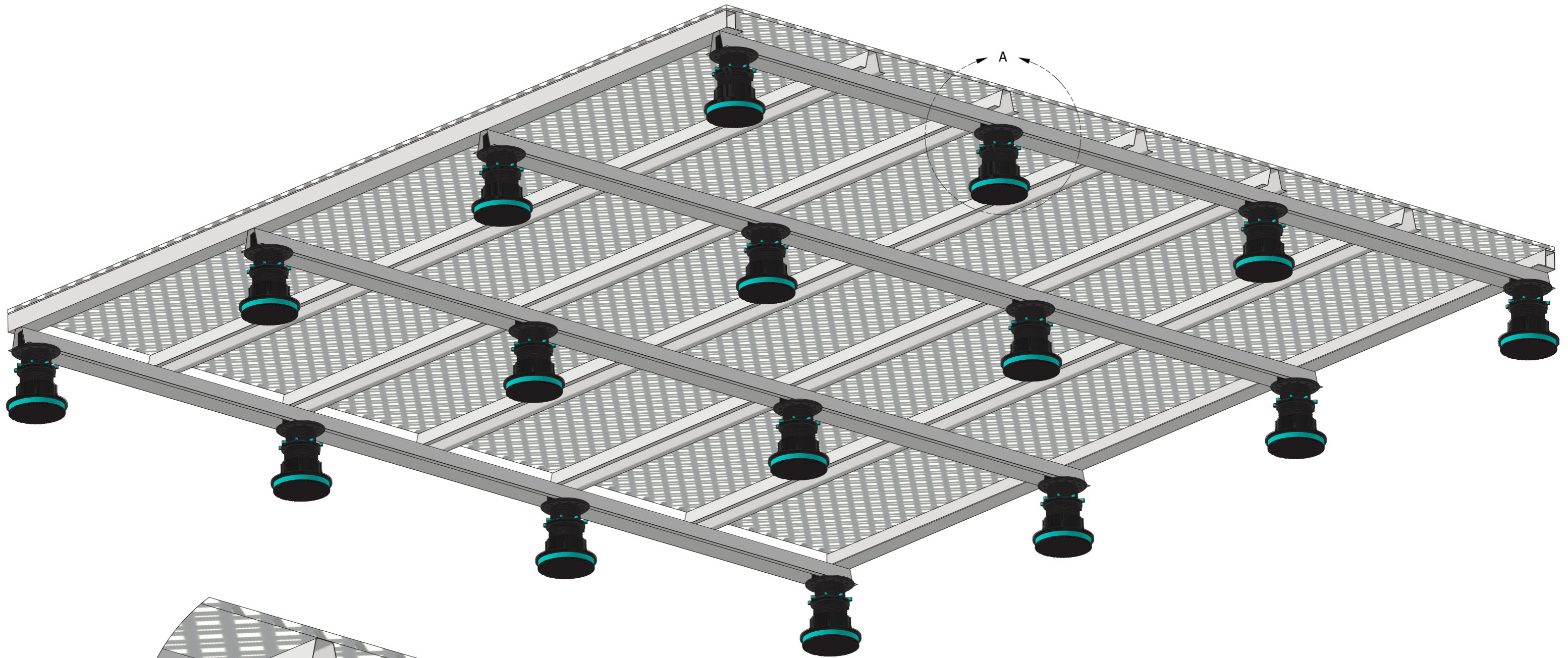
Design Certification:
The following review has been carried out in accordance with the following SAI Codes of Practice:
AS 1657 Fixed Platforms, Walkways, Stairways and Ladders Code
AS 1170 Structural Design Actions Code (Parts 0, 1, and 2)
AS 1664.1 Aluminium Structures Code
Structure Importance level 2 (normal structure), in accordance with the BCA;
Super-imposed dead load to platforms = 0.20kPa

Typical Wedge Spacings	1200.00mm	600.00mm
Certified Live Loads	2.5kPa	5kPa


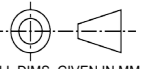
*Note: Pedestal spacing can be tailored to project's specific requirements.

Notes:
Dimensions shall not be obtained by scaling the drawings. This certification covers the platform only, and does not cover any surrounding structures.

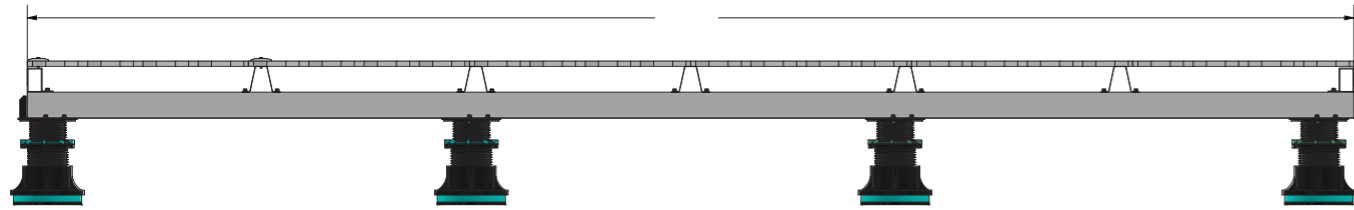
<p>62 CORPORATION AVE, BATHURST NSW 2795, info@conformgroup.com.au 1300 882 490</p>	<p>ALL DIMS. GIVEN IN MM</p>
Product EASY MECH CR PLATFORM	
Drawing Title Technical Data Sheet	Sheet 1 OF 3



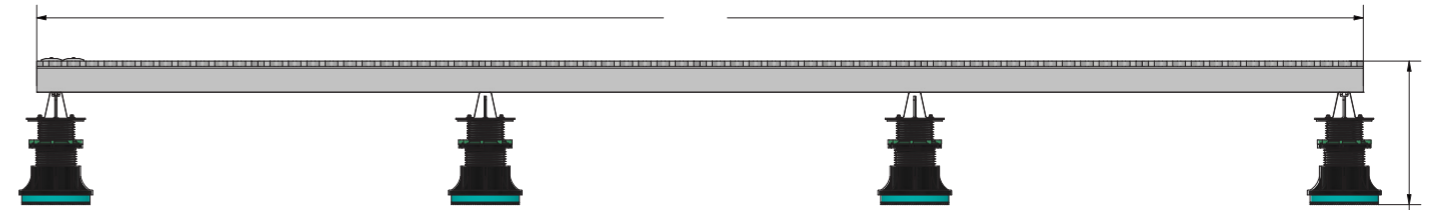
DETAIL A
SCALE 1 : 3

 Making it Easy <small>62 CORPORATION AVE. BATHURST NSW 2795. info@conformgroup.com.au 1300 852 450</small>	 ALL DIMS. GIVEN IN MM NOT TO SCALE
Drawing Title Technical Data Sheet	

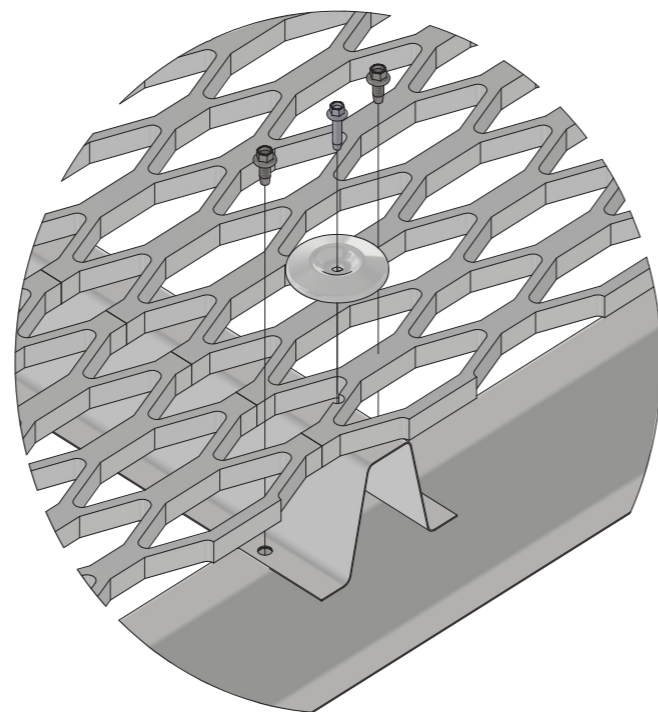
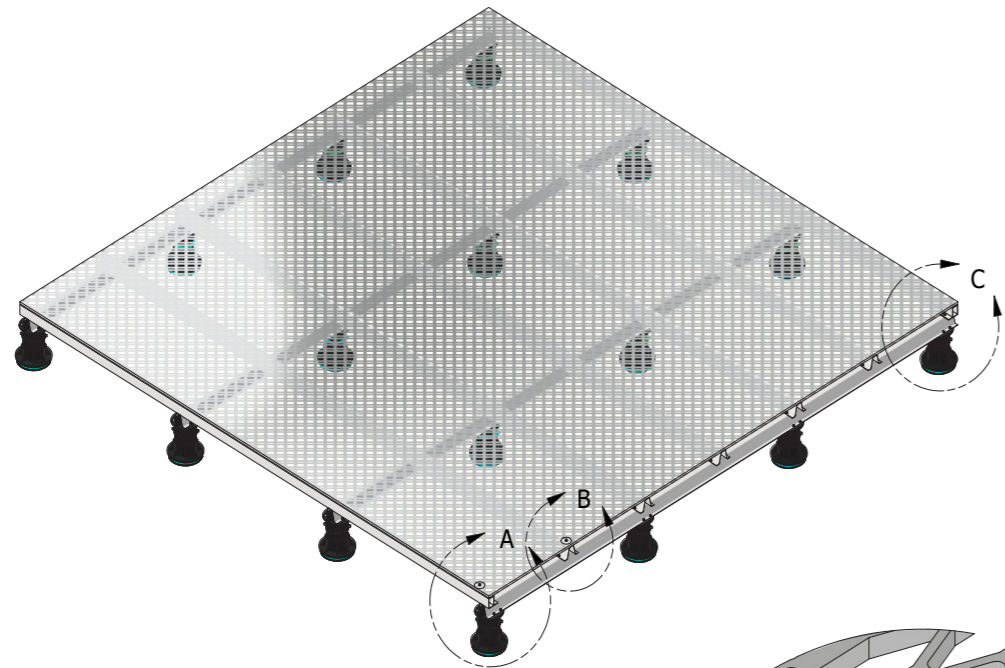
TYPICAL SYSTEM LENGTH +/- 600mm INCREMENTS
CUSTOM SIZING AVAILABLE ON REQUEST



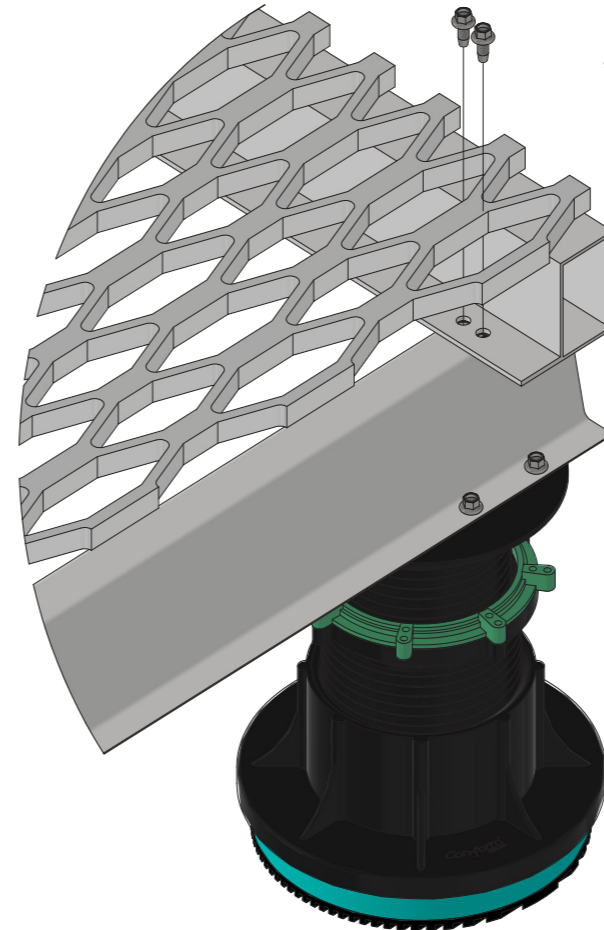
TYPICAL SYSTEM LENGTH +/- 600mm INCREMENTS
CUSTOM SIZING AVAILABLE ON REQUEST



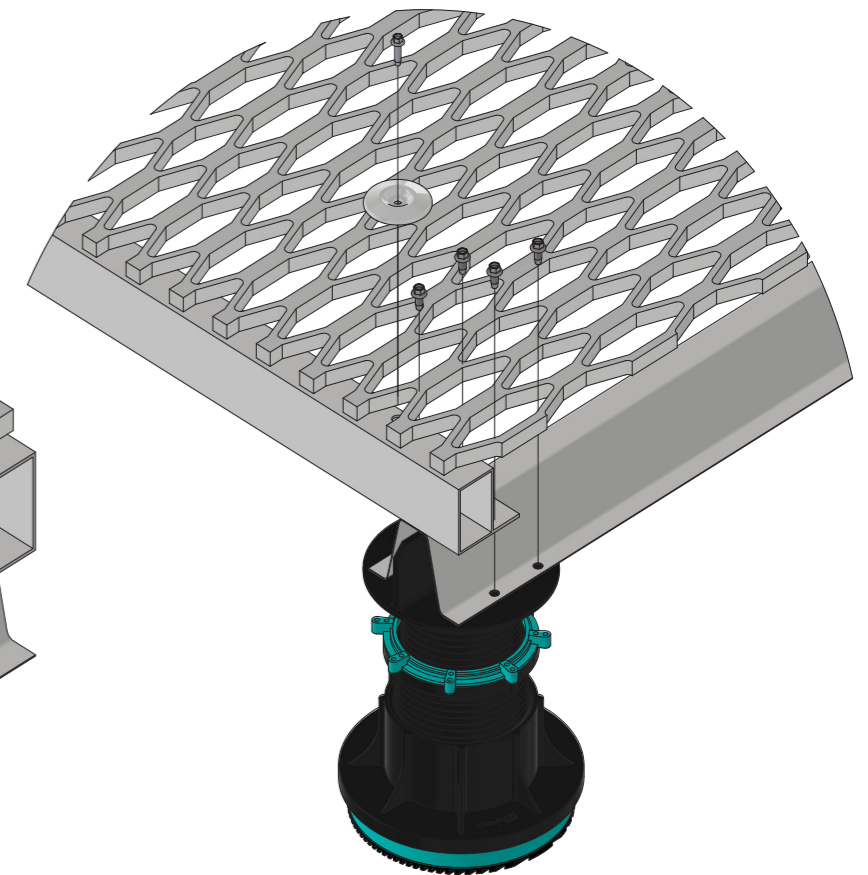
251.00 MIN HEIGHT
298.00 MAX HEIGHT
(EXTENSIONS AVAILABLE)



DETAIL B
SCALE 1 : 2
CROSS SUPPORT TO MESH CONNECTION



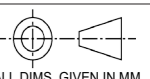
DETAIL C
SCALE 1 : 2
CROSS SUPPORT TO BEARER CONNECTION



DETAIL A
SCALE 1 : 3
BEARER TO FOOT CONNECTION

Con-form
GROUP
Making it Easy

62 CORPORATION AVE. BATHURST NSW 2796.
info@conformgroup.com.au
1300 882 490



ALL DIMS. GIVEN IN MM

NOT TO SCALE

Product
EASY MECH CR PLATFORM

Drawing Title
Technical Data Sheet

Sheet
2 OF 3